

Spring 2023  
Vol. 38, No. 1



# Wisconsin Bluebird

Newsletter of the Bluebird Restoration Association of Wisconsin, Inc.

BRAW is an affiliate member of the North American Bluebird Society (NABS), founded by Lawrence Zeleny.

## Final 2022 Data Report

See Page 4



"Wing wave" Patrick Ready

### *Inside this issue:*

President's Report - 2 • Controlled Ventilation - 3 • Date Report for 2022 - 4 • 2022 Monitors Info - 5  
County Coordinator News - 6 • 2023 Nest Box Offer - 8 • WB's Content Over the Years - 10  
Raccoon Predation Update - 11 • Garden Expo 2023 - 12 • BRAW 2023 Photo Contest - 13  
Membership Form - 14 BRAW Board of Directors - 11  
BRAW Online Store - 15 • Life Cycle of the Eastern Bluebird - 16

**Is It Time to Renew Your Membership?**

## President's Report

The 2022 Eastern Bluebird nesting season is showing an improvement over the 2021 season in Wisconsin. With Cornell's Laboratory of Ornithology publication's "Living Bird" indicating yet further decline in grassland birds, our efforts to maintain a healthy bluebird (and other cavity nesters) population is paying off for the specific grassland inhabitants that are cavity nesters. It is clear that the pesticides being used by many farmers is indeed taking a significant toll on grassland birds, even on our blues. The national wildlife and bird organizations are working to curb this issue, but Wisconsin bluebirds would be in big trouble if it were not for all of your labors as monitors! I'm sure the birds would thank us.



Thanks to our loyal membership with many of you contributing beyond the membership subscription, we have again set up several programs that you can find listed in this issue. With the revenue we have, it is important that your state organization provide all we can to support you!, our monitors. Several initiatives such as providing free boxes for replacement or expansion of nesting trails is one aspect we are proud to offer our members. You'll also notice we have other programs to support limited amount of pole purchases, a monitor starter program, the Nest in Peace program of which we are able to financially support. Our active and engaged Board of Directors (volunteers) are working to help with the efforts any way we can. It is all possible by memberships and other contributions and we seriously take the responsibility to use these funds wisely. More information at [BRAW.org](http://BRAW.org).

Two large projects have been completed and the primary person on both counts is Board member Mary Sobol. First, she is preparing a list off past officers, committee chairs and award recipients over the past 36 years. That in itself is a huge effort! Mary is also writing an overview article related to past and ongoing research, monitor's data and nest box research. Good grief! All this will enhance our

ability to support you and bluebirds!

You would think that is enough, but Gene Kroupa and Mary have completed searching to developing a complete set of past *Wisconsin Bluebird* newsletters. It took several years to collect the missing materials and we can thank Bill Seybold with others. Thanks you! This complete set will be filed with the state's archive for future reference.

The Garden and Landscape Expo in Madison in February was well attended! I need to thank all those who volunteered their time to educate the public to our cause. We can thank Mike Crawford for coordinating this task and Pat Ready for presenting our cause at two seminars with over 200 attending! It was fun, we saw a large number of interested people and a large number of new members too. Without a doubt, this was the most successful event in a long time.

BRAW was requested to have a booth at no less than four other conventions/expositions around our great state, but unfortunately, we do not have the personnel to work all of the requests. We really appreciate all of our county coordinators and other members that are spreading the bluebird message at libraries and other gatherings. Lowell Peterson, for example, has presented at three or more locations this winter. He is not the only one. I can help you if you are going to do the same. Send me a note and I have a kit that may be useful.

One last topic that many of you have voiced concern about with the AFS Conservation Reserve Program. Within this popular program is a clause that states that this designated land can not have structures. Bluebird nesting boxes have been removed at several locations because they are considered structures. Of course, it doesn't make any sense since the idea of this reserve is to foster wildlife. We have made progress in getting this corrected. If this concerns your efforts, send me a note or email and I will update you when the time comes.

Get those trails in shape!! Boy, is my work cut out for me on my trail!

Steve

---

## Tips on Photographing birds for the 2023 BRAW Photo Contest

- Make sure the photo is tack sharp!
- Action shots are more interesting!
- The closer you can get the better?
- Use a telephoto lens.
- Cars and houses make good "blinds" so birds won't see you.
- Meet the Deadline: September 30!
- More info on page 13.



# Controlled Ventilation Can Aid Nesting Success

By Gene Kroupa

With cold and wet springs followed by hot and dry summers becoming a routine weather pattern, paying more attention to box temperatures can be a key to improving nesting success.

Blocking out chilling winds and letting in cooling breezes is a management tool more monitors might consider. A study conducted by Leif Marking, Fred Craig and Cindy Koperski in 2007 looked into the effects of shade and ventilation combinations to alleviate temperature problems in bluebird houses.

As a starting point they cited prior research which showed that “proper incubation of bluebird eggs requires temperatures that range from 95°F to 106°F, the temperature range of female bluebirds. Temperatures below this range may slow or impair normal embryonic development and temperatures above this range are considered lethal.”

Other research reported by Lawrence Zelaney in 1968 monitored temperatures in 32 bluebird nest boxes with various treatments to alleviate high temperatures in June and July.

Zelaney found that wood nest boxes were superior to plastic or metal ones, plus thicker wood (3/4-inch) was more efficient than thinner (3/8-inch) wood in insulating against high temperatures.

Temperature rise in dark color painted boxes was significantly greater than in white or light color painted boxes. He also found that ventilation was an effective tool for decreasing the inside box temperature by two or three degrees.

The Marking, Craig & Koperski research focused on altering extreme temperatures in bluebird nest boxes. Their experiment was designed to evaluate box modifications to maximize egg and fledgling survival.

They used non-vented cedar boxes to prevent cold mortality in spring and tried various shade treatments in combination with ventilation to prevent heat mortality in summer.



**A NABS-Style cedar nest box with ventilation holes and filler.** (Gene Kroupa)



**A NABS-Style cedar nest box with ventilation slot and filler.** (Gene Kroupa)

The results suggested the standard non-vented NABS-style cedar box offers protection from early spring cold temperatures, while the vented box was cooler during cold cycles and significantly cooler during heat cycles. But shade, insulation and reflective treatments did not significantly decrease temperatures during heat cycles.

At BRAW’s December board meeting, Fred Craig demonstrated two options for making the NABS-style cedar house more amenable to converting for better ventilation: 1) the first box had four half-inch holes drilled in its left side, and 2) the second box had a half-inch slot cut in the left side. Both styles of openings were located just below the roof line.

The material Fred used to close the openings was 5/8 - inch diameter foam Backer Rod from Menard’s. Either 1-inch plugs or 5/4 - inch length pieces could be inserted or removed depending on the desired inside temperature change wanted – warmer in spring and cooler in summer.

In 2022, some monitors reported nests with infertile or unhatched eggs in early started nests. Cold temperatures were likely the culprit. While using convertible boxes might not have solved this problem, this option may well have saved some nesting attempts that went for naught.

Unusually high summer heat may have also impacted later first nesting attempts, as well as second and third efforts. Paper wasps entering through vent slots or holes can be discouraged by applying bar soap to the inside roof surface.

Given the flexibility and convenience the nest box with a slot opening



**Fred Craig holding one of his NABS-Style cedar boxes with ventilation slot and 5/8-inch diameter insulation inserted.** (Gene Kroupa)

not to exceed 1/2 - inch high offers, BRAW recommends it be adopted as a standard for NABS-style bluebird boxes erected in Wisconsin.

Existing boxes without proper ventilation can be modified to be more user friendly for nesting bluebirds and monitors. It only takes a minute to vent the left side, preferably with a slot.

In Fred Craig nest boxes, remove the hinge screws, lower the door panel for cross ventilation and reinsert the screws in the lower set of holes. Let us know how improving ventilation works for you this nesting season.



# Data Report for 2022

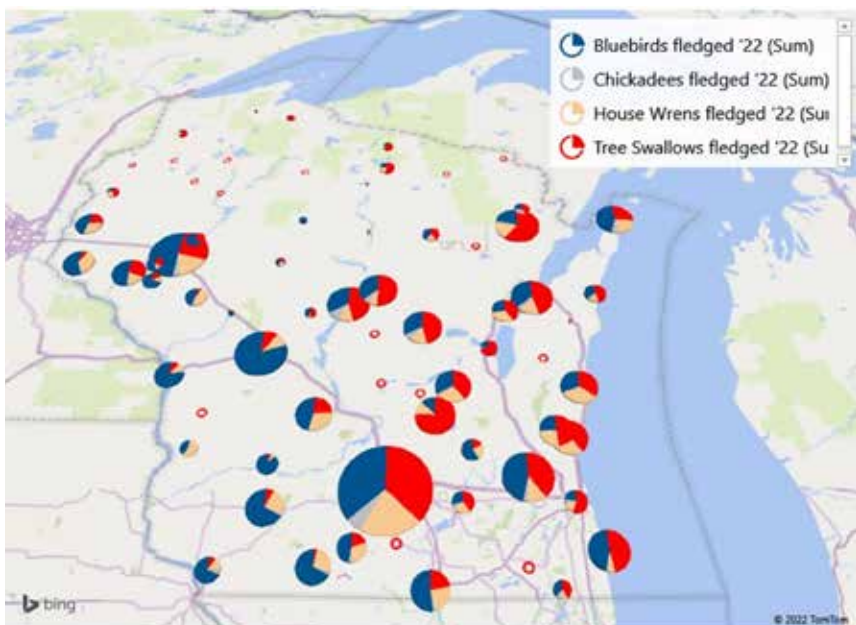
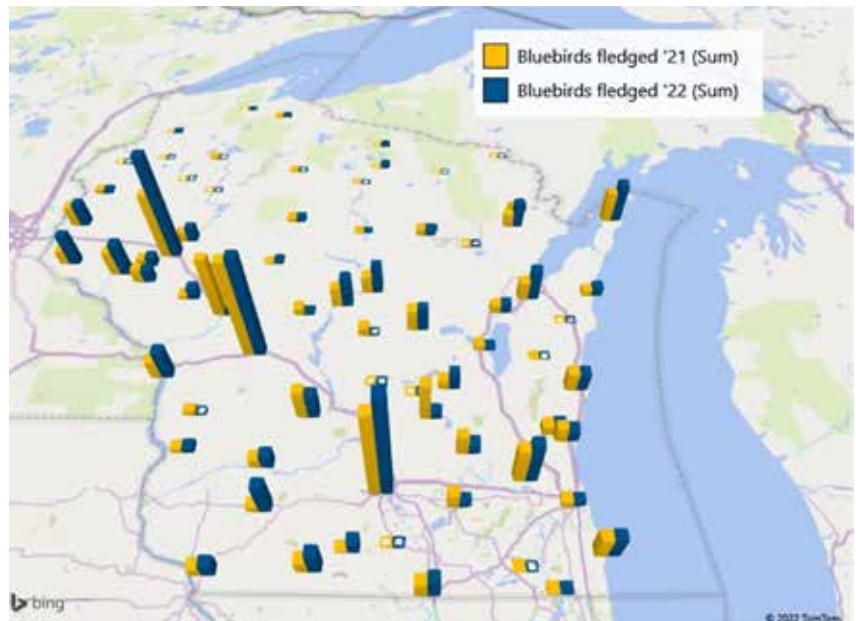
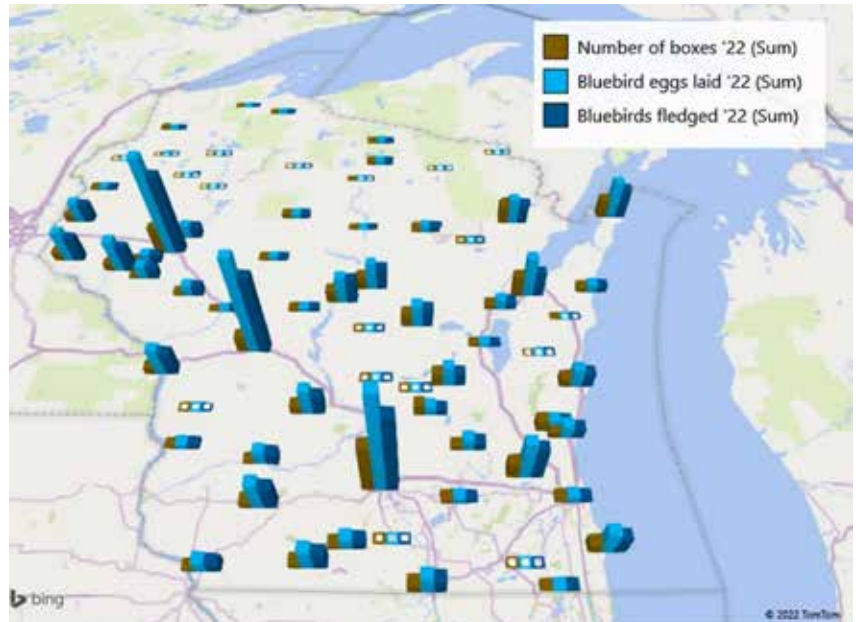
Greetings! The final numbers for our 2022 bluebird fledglings are in, and the birds are slowly making a comeback. Our 2022 EAB fledglings were 13,693, and that is about 12% higher than the number of birds fledged in 2021. A visual representation of where in the state the numbers originated are on the following graphs.

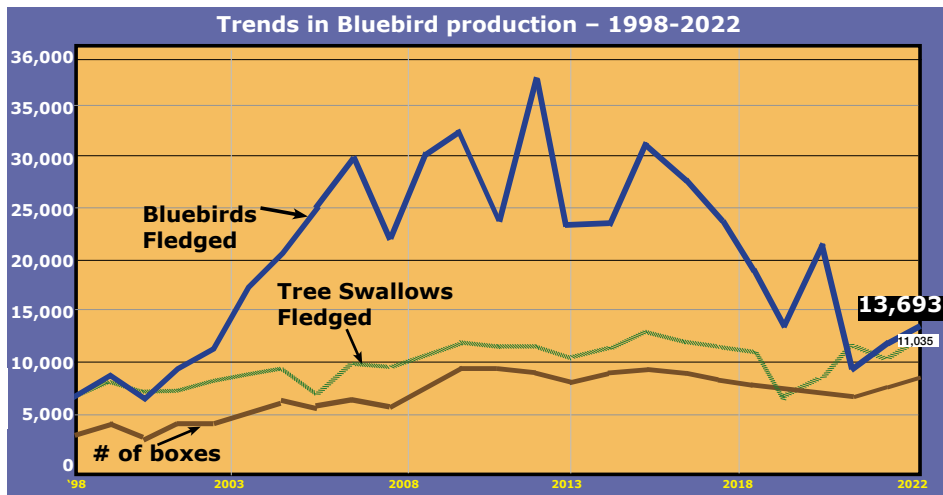
The first map shows our 2021 Bluebird numbers by county. The numbers of boxes used by bluebirds, eggs laid, and bluebirds ultimately fledged are indicated by the height of the bars in the graph. The next graphed map shows a comparison of the 2021 fledged EAB numbers compared to the 2022 values. In many areas we saw the same numbers or slight increases in bluebird fledges. As expected, some monitors reported good success, but others reported that the birds had another tough year. So overall, we see some improvement, but spotty in terms of location. We expected that the recovery from last year might take some time. Additionally, we lost a number of monitors, so our totals are somewhat down due to those circumstances as well.

The success of chickadee and tree swallow competitors were affected by the increase in EAB success with chickadees declining the most, and tree swallows only dropping slightly. Our chickadee numbers were 43% of the 2021 totals and tree swallows showed a slight 5% decline from last year. The later season nesting house wren numbers were slightly (3%) above 2021 values.

The final plot is a pie chart that indicates the relative numbers of bluebirds to the other cavity nesters that share the bluebird boxes. The total number of all cavity nesters for 2022 was around 31,300, which is about 5% above of the total number of cavity nesters we had in 2021.

It's also our custom to recognize our monitors for their hard work. We had nearly 300 reports from our monitors that yielded 13,683 Eastern Bluebird Fledglings. It was a mixed bag this year for the birds, with some monitors doing quite well and others having another tough year. However, as I mentioned last year, the birds have faced weather challenges before, and it will probably take them some time to recover. So let's do our best for the birds. I know that our monitors always do! Thanks, monitors, for your hard work! As always, please feel free to contact me with corrections or omissions.





\*Number of fledging Eastern Bluebirds & Tree Swallows, and number of active nest-boxes, in the 1998 to 2022 time period.

Name	County	EAB Fledged	Name	County	EAB Fledged
Carol Becker	Ashland	15	Donna Garske	Dane	7
Bonnie Lumberg	Bayfield	5	Jim Goodno	Dane	4
Barbie Allen	Brown	36	Jim Goodno	Dane	
Barbara Basten	Brown	9	Dave Gugger	Dane	
Jon Beckman	Brown	27	Dave Gugger	Dane	4
Charles Demske	Brown	5	Lynne Haynor	Dane	5
Zoomie Hardtke	Brown	4	Pam Heilman	Dane	16
Renee Heder	Brown	17	Marianne Jensen	Dane	31
Kathy Krouse	Brown	40	Melissa Kesling	Dane	3
John Loehlein	Brown	6	John & Grace		
Steve Mayer	Brown	41	Kessler & O'Connell	Dane	5
Sally Riemer	Brown	16	Deb Knudsen	Dane	8
Warren & Julie Schultz	Brown	20	Eugene Kroupa	Dane	13
Terri Sprout	Brown	128	Walter Kugler Jr.	Dane	12
Aaron Vanden Busch	Brown	35	Gisela Kutzbach	Dane	5
Stephen Zimmermann	Brown	19	Stephen Lang	Dane	56
Jeff Glanzman	Buffalo	158	David Lucey	Dane	115
Terry Glanzman	Buffalo	10	James Mand	Dane	10
Debbie Anderson	Chippewa	172	Sylvia Marek	Dane	29
Joan Hoy	Chippewa	7	Jeanne Mawbey	Dane	
Marilynn Slezak	Clark	33	Deb (& Bob)		
Jeanne Flickinger	Columbia	71	Nicholson (Lucas)	Dane	70
Mark & Susan Foote-Martin	Columbia	29	Paul Noeldner	Dane	9
Mark Martin			Casey Olson	Dane	31
Graham Steinhauer	Columbia		Thomas Pierce	Dane	
Scott Mathwich	Columbia	3	Patrick Ready	Dane	61
Dennis Kirschbaum	Crawford	42	David Roberts	Dane	19
Brian and Janet Nelson	Crawford	22	Deb Rohde	Dane	4
Paula Avelleyra	Dane	5	Gregory Roliardi	Dane	
Kathie Brock	Dane	18	Jack Saltes	Dane	68
Joyce Burmester	Dane		Steve Sample	Dane	52
Curt & Aryls Caslavka	Dane	27	Lori Sheehan	Dane	10
Catherine Cram	Dane	8	Gail Smith	Dane	5
Betty Downs	Dane	27	Ruth Smith	Dane	10
Rainer Dronzek	Dane	5	Mary Sobol	Dane	3
Sue Eagle	Dane	48	Lianne Stephenson	Dane	8
Steve Fallon	Dane	8	Gail Van Haren	Dane	88
Steve Fallon	Dane	14	Valerie Van Winkle	Dane	7
Tim Frank	Dane	20	Sheila Voss	Dane	9
			Joe Wholean	Dane	4
			Ann E S Wick	Dane	425

Name	County	EAB Fledged
Brad Zinda	Dane	109
Michael and Ellen Helgren	Dodge	123
James Kronenberg	Dodge	4
Dave Siegler	Dodge	13
Barbie Allen	Door	8
Nick Anderson	Door	34
Marjorie Andrae	Door	27
Susan Basten	Door	8
Karen Doell	Door	18
Sarah Freyman	Door	5
Marilyn Hansotia	Door	11
Mark and Michaela Holey	Door	3
Dean Krueger	Door	
Wendy Lukes	Door	13
Mike and Barb Madden	Door	9
Sandy and Ed Miller	Door	35
Ken & Signe Onsrud	Door	205
Ray Osinski	Door	18
Sherry Seubert	Door	5
Ben Teich	Door	36
Eric Wickstrom	Door	42
Charles Bergsten	Douglas	8
William and Shirley Lundberg	Douglas	8
Terry Glanzman	Dunn	113
Terry Glanzman	Eau Claire	1017
Rita Gundry	Eau Claire	55
Mavis Hermodson	Eau Claire	8
Joan Hoy	Eau Claire	5
Phyllis LaPine	Eau Claire	24
Laurence Liegel	Eau Claire	103
Laurence Liegel	Eau Claire	36
Martina Lindseth	Eau Claire	20
Jessica Miller	Eau Claire	
Larry Johnson	Fond Du Lac	32
Memuna Khan	Fond du Lac	158
karen kinziger	Fond du Lac	6
Dorothy Messner	Fond Du Lac	13
Roger Villers	Fond du Lac	27
William Zimar	Fond du Lac	3
David & Lynne Speigle	Grant	185
Jay Brooks	Green	59
Rodney Courtier	Green	34
Kathleen Dreikosen	Green	65
Lisa Sutherland	Green	9
Lisa Sutherland	Green	9
Kim Cates	Iowa	59
Eugene Kroupa	Iowa	48
Brooke Lewis	Iowa	26
Dale/Doris Moody	Iowa	247
Gail Van Haren	Iowa	53
Jane Prindle	Jackson	16
Tammy Frey	Jefferson	4
Gerald Gerndt	Jefferson	31
Bonnie Hamer	Jefferson	17
Donald Williams	Jefferson	16

continued next page

Stan Parsons	Juneau	37	Nick Gall	Ozaukee	52	Woodville Library		
Julie Milligan-Barr	Kenosha	25	Mary Holleback	Ozaukee	29	c/o Debby Walters	St. Croix	5
Krerowicz Rosenstiel	Kenosha	22	Ellen Lafouge	Ozaukee	78	Pat & Steve Cox	St. Croix	10
Barbie Allen	Kewaunee	17	Molly Ticcioni	Ozaukee	4	Kathy Fredrickson	St. Croix	10
Frank Bradley	Kewaunee	3	Connie Anderson	Pepin	20	Jim Higgins	St. Croix	71
Don Pritzl	Kewaunee	92	Terry Glanzman	Pepin	390	Pauline Jauquet	St. Croix	30
Verdel Dawson	La Crosse	59	Jim and Dorothy Beix	Pierce	154	Lowell Peterson	St. Croix	85
David Fonger	La Crosse	85	Jim and Dorothy Beix	Pierce	34	Jim Wolf	St. Croix	72
Dan Henderson	La Crosse	51	Carol Forsythe	Pierce	35	Debby Walters	St. Croix	
Allen Herbers	La Crosse	168	John Hanson	Pierce	43	Dwight Offord	Taylor	49
Scott Kinninger	La Crosse	10	Jim Higgins	Pierce	17	Steve Banicki	Trempealeau	148
James Barth	Lafayette	177	Pauline Jauquet	Pierce	55	Robert Butzer	Vilas	19
Jim Hess	Lafayette	91	Ernie Schultz	Pierce	59	Brian Logan	Vilas	
Dale/Doris Moody	LaFayette	30	Rodger Meyer	Polk	32	Greg Olson	Vilas	5
Diane Morgan	Lafayette	35	David/Patti Becker	Portage	42	Jolie Wood	Vilas	
Mary & Dan Reinbold	Lafayette	9	Kent and Sue Hall			Susan Crowley	Washington	9
Thomas Amenson	Lincoln		& Diana Mrozinsth	Portage	53	Dee Freeman	Washington	37
Karen Koebel	Manitowoc		Mary Bratz and Dick			Jean Hamilton	Washington	
Jolie Wood	Marathon	8	Stephens	Portage	80	Susan Melius	Washington	8
Barbie Allen	Marinette	27	Dean Hodson	Portage		Ray Pinter	Washington	75
Joanne DeVetter	Marinette	17	Darlene Jakusz	Portage	75	William Rumpf	Washington	
Kathleen Drews	Marinette	4	Jean Klein	Portage	8	Lora Schreiber	Washington	5
Tony Sailer	Marinette	3	Jan Ronchetto	Portage	14	Tim Stoffel	Washington	18
Karen Johnson	Milwaukee	6	Joe Schultz	Portage	50	Amy Bachman	Waukesha	53
Barbara Kellermann	Milwaukee	22	Janice Seybold	Portage	40	Melissa Bruder	Waukesha	65
Jonathan Knopp	Milwaukee	5	Rick Fare	Racine	140	Keith Feind	Waukesha	4
Mark McNally	Milwaukee		Kathy Gabriel	Racine	50	Jon Frohling	Waukesha	29
Michelle Mellencamp	Milwaukee	25	Chris Glass	Racine	39	Don and Debbie		
Paul Stencil	Milwaukee		Christopher Jamieson	Racine	5	Herrick	Waukesha	84
Laurie Bartholomew	Monroe	185	Dennis and Heather			Walter Jost	Waukesha	80
Bruce and Jerrilyn			Jensen	Racine	7	Shari Kastner	Waukesha	61
Brewer	Monroe	247	Ben Neal	Racine	5	Mark Kastner	Waukesha	25
Jeff & Abby Duebler	Monroe	160	Melody Orban	Racine		Shari Kastner	Waukesha	12
Warren and Janet			Alan Orban	Racine	4	Shari Kastner	Waukesha	61
Evens	Monroe	133	Sara Townsend Fare	Racine	74	Ilene Kronschnabel	Waukesha	57
Charles H. Lautermilch	Monroe	93	Paul Klawiter	Richland	153	Anne Moretti	Waukesha	20
Gretchen Reis	Monroe	9	Debbie Pavick	Richland	39	Steven and Sara		
Gordon Weber	Monroe	409	Anita Reese	Richland	6	Nickels	Waukesha	18
Gordon Weber	Monroe	62	Lori Ainsworth	Rock	15	Steve Vidmar	Waukesha	10
Barbie Allen	Oconto	111	Jim Brase	Rock		Craig and Sheila		
Jo Ann Altergott	Oconto	24	Rodney Courtier	Rock	152	Beyer	Waupaca	332
Virginia Behrend	Oconto	5	Steve Fallon	Rock	19	Alice Chaney Melba		
Gene Birr	Oconto	84	William Fruin Jr	Rock	61	Carey	Waupaca	90
Don Denor	Oconto	10	Bob Fulton	Rock		Mary Naylor	Waupaca	28
Don Denor	Oconto	5	Michael Johnson	Rock	57	Elizabeth Nies	Waupaca	9
Don Denor	Oconto	0	Cindy and Jim			Cathy Daus	Waushara	10
Gerald Gerndt	Oconto	22	Schwisow	Rock	10	Bob Fox	Waushara	272
Steve Heimermann	Oconto	8	Susan Kenney	Sauk	27	Len Place	Waushara	21
Kevin + Denise Judy	Oconto	26	Evonne Kraemer	Sauk	136	David Misterek	Winnebago	43
Kristen Laufenberg	Oconto	14	Eugene Kroupa	Sauk	8	Tom and Gayle Bartelt	Wood	83
A. E. Powers	Oconto		Michael Lasceski	Sauk	5	Fred Camacho	Wood	41
David Retzlaff	Oconto	2	Sharon Stark	Sauk	17	Mary Dahm	Wood	12
Joe Watt	Oconto	0	Bill and Donna Stehling	Sauk	134	Karen Haralson	Wood	88
Barb Blow	Oneida	9	Ruthann Meiers	Shawano	85	Mike Moran	Wood	58
John Sweeney	Oneida	38	Lee Curtiss	Sheboygan	68	Tom/Amy Reitz	Wood	95
Adam Brandt	Outagamie	43	Ellen Klusmeier	Sheboygan	23	Ruby Thomas	Wood	22
Steve Mayer	Outagamie	72	Ellen Klusmeier	Sheboygan	23			
Steve Schleitwiler	Outagamie	1	Janet & Andy					
Daniel Schultz	Outagamie	10	Raddatz	Sheboygan	52			
Richard Albert	Ozaukee		Janice Wittkopp	Sheboygan	70			
						Total Bluebirds fledged 2022		13693

# Spring 2023 BRAW CC News

By Gene Birr, CC Chair

The cold and snowy stillness of winter is nearly over as we eagerly anticipate the warmer weather, greater hours of sunlight and the many joys that come along with it, including our beloved bluebirds. Each of you is always encouraged to share your experiences with bluebirds with us through your local County Coordinator, including news about them. BRAW member Barbara A Roney-Peck has informed Membership Chair, Val Van Winkle of the recent passing of long-time **Adams County Coordinator, Myron Byers**, who had introduced Barbara to BRAW.

Speaking of CC News, **Holly Bartholomai** has informed us she is no longer the coordinator and that **Elizabeth Herzmann** of the Horicon Marsh Nature Center has replaced her, as of last year, as the **Dodge County** Coordinator.

Let me take this opportunity to inform our coordinators that I have been unable to reach several of you because of a failure of the email delivery system, presumably because I no longer had your correct email address. These previously included **Colombia** and **Waupaca** counties, but I now have their correct addresses. Now I only have been unable to reach out to **Marathon** county. If any of you has not been contacted by email, please reach out to me to ensure I have the right email address for each of you, or if there is some change in your status as a County Coordinator.

## **Kewaunee County, Don Pritzl**

Bluebird numbers rebounded a little from last year. I had 54 boxes, 104 eggs laid, 99 hatched and 92 fledged. I also fledged 130 Tree Swallows and approximately 30 wrens. As I had last year, I had a box that fledged 5 Great Crested Flycatchers.

It was a different year, the bluebirds came very late; I didn't see or hear any until well into April. The first hatch was about average in eggs laid but there weren't many second hatches and fewer eggs laid.



I took down several boxes that were in brushy areas with too many wrens. So I'll have fewer boxes next year. It's getting harder to monitor the boxes as I get older.

I had a booth at the Kewaunee County Ag Heritage Days in September. Talked to a lot of people. Some said they had a lot of bluebirds coming to their feeders, but I think it was Blue Jays. There seems to be less and less of the young people who have ever seen a true "bluebird". So I guess you don't miss something you never had.

Looking forward to the coming year. Hopefully the Bluebirds will be back to normal. I still get a kick out of opening a box and finding 5 blue eggs in a neat nest!

**Note:** Don is one of the precious few who still sends hand-written notes to me and asks me to "please excuse my 'old-fashioned' method of correspondence. I'm not yet into the computer age." And adds, "Gene, keep up the good work with the County Coordinators. Happy Bluebirding." Thank You, Don.

## **Oconto County, Gene Birr**

I am still patiently awaiting the arrival of spring and the bluebirds and purple martins that hopefully will arrive too, when it comes. I have spent the bleak winter months preparing 50 Noel predator guards, as well as 50 NABS bluebird boxes that will be used in upcoming BRAW membership promotions. This has

now depleted my supply of white cedar lumber that I purchased from a local sawmill 3 years ago.

Now I am beginning to make more boxes from the lumber from 8 huge logs that my brothers and I delivered to another local sawmill owner, who cut up for me the 3 large white pine trees that fell in my yard during last June's big windstorm. These pine trees included the largest, which was 33 inches in diameter, 90 feet tall and approximately 125 years old, which had anchored the corner of my lot and the local rural road. I'll be preparing to make 20 nest box kits for Cordula Van Den Heuvel, then present and assemble them with new monitors she has contacted in the Gillett and Underhill areas in west-central Oconto County, this spring. If time permits I'll continue to build more boxes to add to my own inventory so I can supply them to any new monitors who request them. I'll also be giving a bluebird presentation at the Wild Birds Unlimited store in Green Bay in March, as I have in the past.

## **Dodge County, Elizabeth Herzmann,**

Yes, Jack and Holly asked that I take over for them and I agreed. I thought she had let you know so I apologize in the delay.

We will be having a Nest Box Seminar here in Horicon on Saturday, March 4. Here are the details.

Interested in birdhouses, but don't know where to begin? Wondering what you can do to help cavity nesting animals? Head to the Horicon Marsh Education & Visitor Center on Saturday, March 4th from 8:30 AM – 12:30 PM to bolster your nesting knowledge. Speakers will discuss popular nest boxes, such as bluebirds and wood ducks. Live raptors will be sure to engage participants of all ages! Come for a specific topic or stay for all three. Whatever you choose, these presentations will cover many topics to "brood" about for this upcoming nest season!

Doors will open at 8:30am so that early birds can peruse displays on cavity nesting birds, talk with DNR experts on how to attract birds to your yard or purchase your own nesting box. A schedule of speakers is as follows.

9 AM: Live, Cavity Nesting Raptors: Learn about nesting raptors and see some live birds up close! Presented by Renee Wahlen, Executive Director of Marsh Haven Nature Center.

10 AM: Bluebirds: Identify prime bluebird real estate and how to attract mating pairs, too! Presented by Pat Ready, Bluebird Restoration Association of Wisconsin.

11 AM: Wood Ducks; Make your Boxes Pro“duck”tive”: Discover the best ways to make your nest boxes pro-duck-tive! Presented by Jeff Bahls, President of the Horicon Marsh Bird Club.

Bluebird/tree swallow or wood duck boxes are available for purchase on site. The Friends of the Horicon Marsh Education and Visitor Center will provide kits and fully assembled boxes for sale. Donuts and coffee will also be available for a donation during the day. Get involved or learn more in the classrooms, where there will be displays from local bird conservation organizations: Horicon Marsh Bird Club, Marsh Haven Nature Center, Wood Duck Society, Horicon NWR, and Wisconsin DNR.

Free event, and all ages are welcome. No registration required. For more information, contact Liz Herzmann at 920-387-7893 or [elizabeth.herzmann@wisconsin.gov](mailto:elizabeth.herzmann@wisconsin.gov). The Horicon Marsh Education and Visitor Center is located between Horicon and Mayville at N7725 Highway 28, Horicon. For a detailed list of all Horicon Marsh Education and Visitor Center special events, please visit the Friends of Horicon Marsh website at [www.horiconmarsh.org](http://www.horiconmarsh.org).

That is all that I have in the works at this time. I am always open for programs. My contact information is [Elizabeth.herzmann@wisconsin.gov](mailto:Elizabeth.herzmann@wisconsin.gov). Office phone is 920-387-7893 or cell phone is 920-210-9054.

### **Marinette County, Barbie Allen**

As the new Marinette County Coordinator, I am in for a new challenge. I definitely want to get to know all the current bluebird monitors and hopefully find others who want to begin to monitor for BRAW in Marinette County. My permanent residence is in Green Bay in Brown County but we own a

condo on the Peshtigo River across from Dockside so we spend most of our time in Marinette County. I currently monitor 271 birdhouses in 5 counties but want to work hard in Marinette County to increase the number of bluebirds and monitors here. Please feel free to contact me by text at 920-737-2633 or by email at [barbiebluebird@gmail.com](mailto:barbiebluebird@gmail.com). (all lower case, not caps as previously reported.) Barbie Allen

### **Pierce County, Jim Beix,**

I plan to join Lowell Peterson for a bluebird presentation at the Somerset library on 25 February.

### **Waupaca County, Craig and Sheila Beyer**

Today is February 1st, 2023 and we just saw a pair of bluebirds on one of our houses! We have never seen a bluebird in the winter up here in Waupaca County. It has been said that if you see a bluebird something good is going to happen to you! Well, right after seeing them I looked down and spotted a shed deer antler right from my truck, Hmmm.... makes you smile.

This Sunday we are putting on a bluebird presentation in Clintonville for their flower and garden club. We will be donating some houses, along with the offer to go and install them.

We are also in the process of building new houses for this spring. We have plans to enlarge our county wide trail, gets bigger every year.

Just can't wait until spring!!

### **Dane County, Patrick Ready**

Things are starting to get busy with Spring just around the corner. I gave 2 seminars on Attracting Bluebirds at the Garden Expo in Madison. We estimated over 200 attended the seminars. Lots of good questions and many attendee went to our booth after my program.

In March I will give the same seminar at Wild Birds Unlimited in Madison. Each seminar has about 25 sign up.

As the snow melts and temps warm up I need to get out and do some maintenance on my trails. All boxes will be ready to go by end of March.

Happy Trails everyone!.

## **Nest Box & Membership Offers for 2023**

**By Gene Kroupa**

It's no secret that the more nest boxes put up in good habitat, the greater the chances are that bluebird pairs will use them resulting in more fledglings. Likewise, the more members we have installing those nest boxes, the increased likelihood of helping bluebirds find a home.

So, BRAW is making these special offers to members with a goal of 223 new nest boxes being erected in 2023. Likewise, we want to boost our membership by 50 new recruits. Take a look and see if you want to participate in the following programs.

With all programs, we ask that you consider donating an amount to cover shipping of the three nest boxes with predator guards – usually \$25 – or you can pick them up free in Madison.

If you need new mounting poles and clamps, BRAW will reimburse you up to \$10 per box (\$30 maximum) upon acceptance of a receipt. All offers are only good for in-state members.

**Nest Box Replacement.** Any current member can request up to three new nest boxes with predator guards to replace worn out old boxes. This program makes upgrading with approved design boxes easy and affordable.



**Replace old, poorly designed and located nest boxes via BRAW's offer.**

(Gene Kroupa)





**Use a cemetery trail to introduce all ages to bluebird trailing.** (Gene Kroupa)

**Cemetery Installations.** BRAW would like for members to set up new mini-trails of no more than three nest boxes each in rural and small town cemeteries. These boxes are convenient to monitor and provide visibility for BRAW.

**Carol McDaniel Legacy.** These boxes are reserved for folks who want to recognize her many contributions to BRAW and bluebirds. You must

agree to supply the GPS locations of the nest boxes and provide monitoring data at season's end.

**Starter Kit Program.** Those who are members as of January 2023 that want to get a family member, relative, or friend started bluebirding will find it convenient to get the three nest boxes with predator guards along with an informational packet. By paying the \$25 BRAW membership fee for the

new person, you will not need to cover shipping costs.

The new member will also receive the quarterly *Wisconsin Bluebird* newsletter either as a printed copy or the electronic version – whichever is preferred. They will also qualify for reimbursement of pole and bracket costs.

**Park Place Promo.** Many towns, cities, townships and counties have parks and golf courses with open spaces that are ideal habitat for bluebirds. Being able to offer the supervisor three free nest boxes for an introductory test could lead to a larger trail being installed. Just let us know the name of the public place where boxes are sited.

These offers will be good throughout the calendar year. We will have similar offers with nest boxes and predator guards available at the state convention in September. The offers will remain in effect as long as supplies last. Likewise, please be patient as volunteers are fulfilling orders.

Please send your request and address along with a check to: BRAW, PO Box 628492, Middleton, WI 53562. Or you can also order and pay online by going to: [www.braw.org](http://www.braw.org). Look under "Nest Box Promo Offer."

## BRAW Welcomes These Members

Nicholas Traxler, Madison  
Julie Melton, Madison  
Susan Watt, Milwaukee  
Nancy Vanasse, Somerset  
Joanie Haugen, Black Earth  
Emmy Kleppe, Sun Prairie  
Jan Wicks, IL  
Dana Langness, New Richmond  
Jill Sireno, Jefferson  
Sandy Bestul, Monroe  
Joan Semrau, Richfield  
Mary Traxler, Minneapolis, MN  
Ann-Marie Rose, Hager City  
Sara Daye Bargaehr, Wild Rose  
DeAnna Dahl, Beloit  
Jeff Hanson, Fitchburg  
Richard Esterl, Holmen  
Gene Bymers, Marshfield  
Linda Smedema, Beaver Dam  
Dwight & Mary Mueller, DeForest

Bonnie Schmidt, Madison  
Connie England, Sun Prairie  
David Horstmann, Monroe  
Steve Oakeson, Evansville  
Marla Cameron, Soldiers Grove  
Alex Lopez, Monroe  
Ed Adams, Fremont  
Matt Urban, Browntown  
LuAnne Green, Madison  
Dave Rohan, Freedom  
Jackie Rose, Prairie du Chien  
Edward Pond, Madison  
Jim Van Dreese, Wisconsin Rapids  
Makenzie Milestone, Oregon  
John Richtman, Burlington  
Stanley King, River Falls  
Ray Bildings, DePere  
Harry Van Camp, McFarland  
Roger Wisinger, Oregon  
Cindy MacEwen, Brooklyn  
Bruce Sterling, Hancock  
Bob & Pia Penzotti, Columbus  
TJ Hauge, Arpin  
Colleen Cobey, Deerfield

Tom Jensen, Racine  
Jeff Stoddard, Richland Center  
William Megow, Manitowoc  
Matt & Tracy Mielke, Almond  
Randy & Andrea Paul-Huelsemann, Prairie du Sac  
Lisa Kerr, Madison  
Marty & Lynn Stone, Lancaster  
Crystal Toft, Belleville  
Don & Bernadine Damann, MN  
Julie Brummel, Deerfield  
Rhoda Biggs, Stoughton  
Janice Valenzuela, Madison  
Kevin Freson, Reeseville  
Deneen Smith, Kansasville  
Amanda Last, Columbus  
Bridget O'Brien, Marshfield  
Fred Mindermann, Browntown  
Julie Eiden, Waupaca  
Shaun Abshere, VT  
Ashley Pfister, Mt. Horeb  
Dawn Zuengler & Nicole Wagner, Mazomanie



## WB's Content Over the Years – Part 1

By Mary Sobol

I started my first bluebird trail in 2013 on property in the McFarland area. My mentor was an avid bluebirder, Paul Noeldner, who encouraged me to become a member of the Bluebird Restoration Association of Wisconsin.

So, I joined the group, and during the next decade I learned about bluebirds from managing my nest boxes, attending the annual BRAW conferences, and reading the *Wisconsin Bluebird* quarterly newsletters that came with my membership. Not only did my bluebird knowledge grow over the years but so did my involvement with BRAW. In 2020 I agreed to serve on the board.

I recently completed a project for BRAW that involved reviewing the complete set of *Wisconsin Bluebird* newsletters from 1986 to 2022. The set will be archived at the State Historical Society in Madison.

In this article I'll share some of the things that I found interesting. Because my perspective comes from a

science background, it is no surprise that what stood out for me was the sheer amount of data collected and reported.

Staying true to its bluebird recovery mission meant that the focus during the early years was to understand bluebird population numbers and determine the best type of nest box for bluebird productivity. To achieve these two goals, almost every newsletter stressed the importance of monitoring nest boxes and sending in data.

In the early newsletters, letters from members asked, "Why bother determining the best nest box if bluebirds will nest in a plastic milk jug, a roofless bird house, a pipe, or a metal mailbox?" BRAW tackled the nest box design project head-on. Data for up to 20 nest box styles were analyzed through the 1990's and early 2000's to determine the best design. Factors such as box height and depth, shape and size of the entrance hole, how the box is mounted, venting or no venting, predator guards, materials used (including wood, staples, screws, nails), and side or front opening were taken into account.

Through careful data collection and analysis it became clear that suboptimal nest boxes, like plastic jugs and pipes, led to low or no productivity, and in many cases were worse than having no nest box at all. BRAW now confidently recommends three designs.

Another focus of the early decades of data collection was to determine best locations for nest boxes, as well as the value of a technique called nest box pairing. Historically, many bluebirders placed nest boxes close together. The idea was that if tree swallows grabbed one box, the bluebirds could move into the extra box. Monitors were recruited to set up boxes to specifically study the spacing theory.

The subsequent data together with research on tree swallow biology conducted by Drs. Peter Dunn and Linda Whittingham, ornithologists at UW – Milwaukee, showed that paired spacing supports tree swallow nesting but not bluebirds!

Dunn and Whittingham shared their knowledge of cavity nesters in a section called "Ask the Professionals" in several *WB* newsletters in the early 2000's. Both served on the BRAW board and helped with data analysis in those years.

Joseph O'Halloran chaired the Data Collection and Analysis Committee from 1994 to 2006 followed by Drs. Kent Hall and Peter Dunn. Over the last few years, Steve Fallon has carried the banner.

Each wrote impressive summaries about the annual nest box data for the newsletters. Again, because I am a data nerd their names, along with those of Leif Marking and Fred Craig, stand out for me after my newsletter review.

*(To be continued in the summer issue of WB)*

## Monitors Needed!

The Green/Rock County Audubon Society is looking for monitors for 70 nest boxes on their 300 acre property in Rock County. For more information contact Rod Coutier at: [racourtier@charter.net](mailto:racourtier@charter.net) or the Green/Rock Audubon Society.

# Raccoon Predation Update

By Dave Lucey

In the Winter 2021 issue of *Wisconsin Bluebird*, I wrote an article describing the loss of bluebird eggs and young at several boxes, due to a population of raccoons at Festge County Park west of Madison. I had fitted my boxes with Noel guards, which I thought were the most effective way of deterring raccoons from reaching in and clearing the contents of the box. However, several boxes were raided by a raccoon reaching in through the Noel guard and snagging the nesting material and the contents therein. It appears that raccoons are agile enough to breach a standard Noel guard and grab lunch, or at least there is one at Festge with that capability.

I devised a modified version of the Noel guard and attached one to each box last summer as soon as the eggs began to be laid. Each time before leaving, I observed whether the adults would accept the new device on the box. Within 5 minutes, the male or female would be back in the box, indicating quick acceptance. Bluebirds built nests in 19 of my 52 boxes producing 115 fledglings.



However, two of my modified Noels failed to protect the young. In one case, the guard was pulled off the front of the box likely due to the fact that I used only two screws to attach it. At a second box, the eggs were either on the ground or laying in the guard, evidence of a raid by wrens. At another box, a guard attached with three screws was badly bent, but held and stayed open for the adults to pass, protecting the young. All the other guards were successful, as the young fledged.

These new style guards are easy to make. Using ½" hardware cloth, I made a 2 ½" wide x 3" high opening

and made the tunnel 6" deep leaving off the "pokers" mentioned in the earlier article. I attached an 8" strip of wood with a staple gun to make entry and exiting the box easier and more comfortable, and to add rigidity to the device. The assembly is attached to the box with 3 or 4 sheet metal screws, #10 x ½", using a 6" nut driver. I don't use it on Peterson boxes with their downward tilted fronts. I also noticed that with a smaller opening, wrens had more difficulty bringing in twigs. I urge others dealing with raccoon problems to try this new design and see if you have the success with it that I did.

## Spring 2023 Donations

Julie Melton, \$25 bluebird research  
Susan Watt, \$30 nest box  
Lynne Lokken, \$25  
Susan Basten, \$10  
William Rumpf, \$25.00  
Jerome & Sharon Woelfel, \$125 nest box  
Laurence Liegel, \$25 research, \$50  
Carol Ramge, \$15 nest box  
Harold Ramon Cram Jr. Bluebird Restoration Fund \$2000  
Madison Audubon, \$142  
Suzanne Papa, \$75  
Donald Persons, \$100  
Gregory Jones, \$ 50  
Rich Hall-Reppen, \$70 (nest boxes & general fund)  
Tim Koechel, \$100  
Richard Albert, \$25 research  
Norbert Pritzl, \$15 nest box

Jefferey Uecker, \$25  
Kathleen Hawkins, \$100 nest box  
Bill Prue, \$75  
Jim Higgins, \$20  
Charles Zarnoth, \$40  
Allen Jackson, \$15 research  
Tony Drexler, \$25 research  
Walter Kugler, Jr. \$5  
Timothy Freeman, \$100  
Rita Gundry, \$100  
Don Pritzl, \$75  
Don Nelson, \$25  
Daniel Raab, \$50  
Rebecca Haglund, \$80  
Katie Rozman, \$5 research  
Norman Lange, \$45 nest box  
Walter Jost, \$15 nest box  
Jack Saltes, \$25  
Jerry Klingbeil, \$100  
Matt & Tracy Mielke, \$15 nest box  
*In Memory of Roy Lukes and In Honor of Charlotte Lukes*  
Sandy & Ed Miller, \$300



**Looking for more information about Eastern Bluebirds & setting up trails? Go to the BRAW website: [braw.org](http://braw.org)**

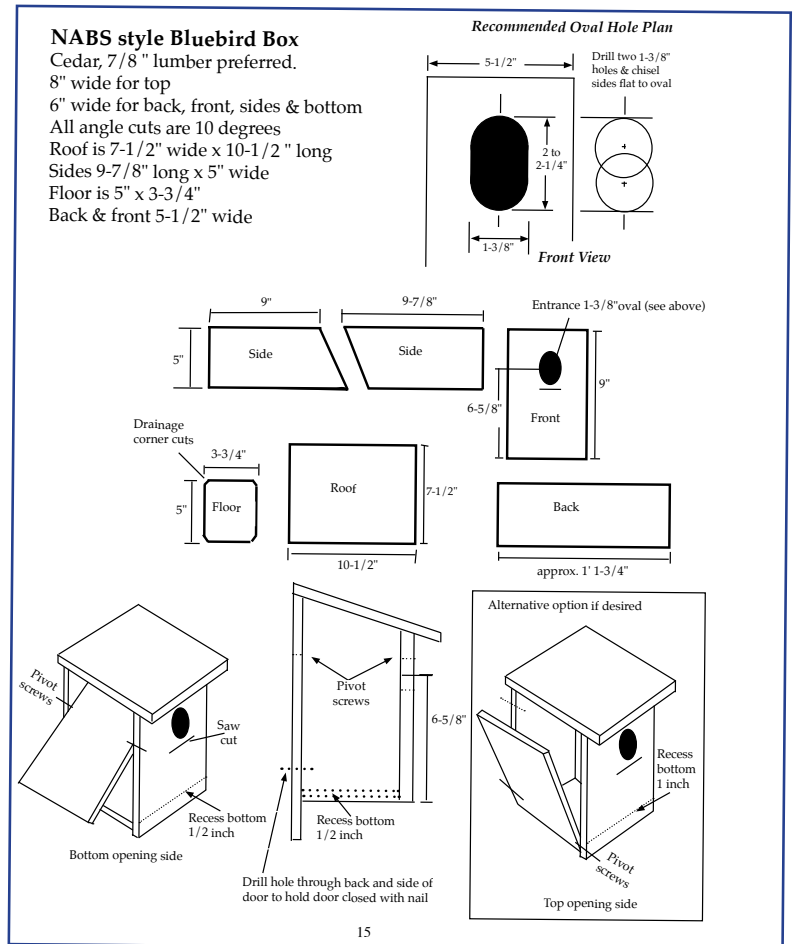
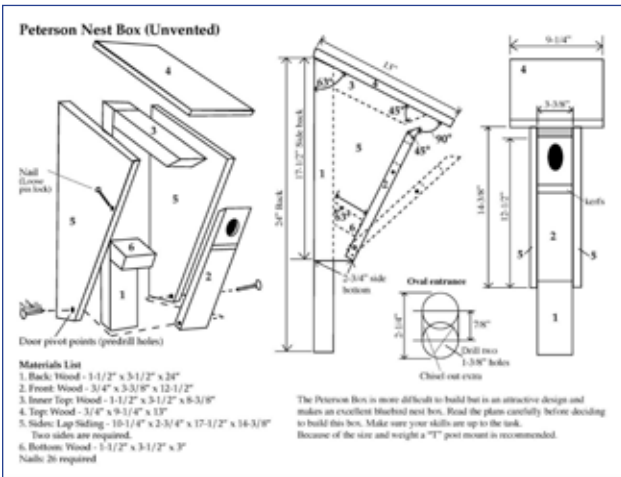
# Garden Expo 2023!

BRAW returned to the WHA Garden Expo in Madison after a 2 year hiatus. The crowds of attendees were very interested in bluebirds! Over 200 came to our 2 seminars. So many stopped by our booth wanting more information on attracting Eastern Bluebirds. Sale of nest boxes and predator guards were so good we ran out before the last day. Thanks to all the volunteers that helped manned the booth and spread the word for helping all our native cavity nesters. We look forward to next year.



## Build a Nest Box!

Spring is almost here! Still time to get a nest box made for your bluebirds. Go to [braw.org](http://braw.org) and search "Nest boxes" to get detailed PDF downloadable instructions for how to make a NABS Style box or a Peterson box. Mount it in the right habitat for a returning pair of Eastern Bluebirds!



### Show Us Your Bluebirds!

Enter the BRAW 2023 Photo Contest for a Chance to Win a \$50 Amazon Gift Card and MORE!

The contest is open to all BRAW members. Photos of bluebirds are preferred but photos of other cavity nesters are also accepted. There will be first, second and third place winners.

#### RULES:

- Open to BRAW Members only.
- Original photography please.
- Up to 3 submissions (photos) per person.
- Photos do not need to be from the current year.
- Photos will be judged on composition, image quality and subject matter. Judges will not be affiliated with BRAW.

#### FIRST PLACE

- A \$50 Amazon Gift Card
- Your photo on the cover of the *Wisconsin Bluebird* Newsletter - Winter Issue.
- A free, one-year subscription to the newsletter for yourself, a friend or family member.

#### SECOND PLACE

- A \$25 Amazon Gift Card
- A free, one-year subscription to the newsletter for yourself, a friend or family member.

#### THIRD PLACE

- A free, one-year subscription to the newsletter for yourself, a friend or family member.

#### Submission deadline is September 30.

Please email your photographs (JPEG file) with **your name, location and any other information** that you think others will find interesting to: Patrick Ready at [birdsready@gmail.com](mailto:birdsready@gmail.com). Subject line: **BRAW Bluebird Contest 2023**

**No mail in photos please.**

# Membership Renewal Information

By Valerie Van Winkle, Membership Services

If the address label of your *Wisconsin Bluebird* newsletter reads Spring 2023 next to your name, then your membership expires this month and you need to renew immediately. If you are an online member, you won't see this clue so please consider marking the expiration date on your calendar when you sign up. We don't want you to miss a single newsletter!

The next issue of the *Wisconsin Bluebird* goes into production in May and will be mailed in June. Memberships received after May 15 may not be processed in time to receive the Summer newsletter. Consider an extended or one-time \$300 Life Membership.

Please fill out the membership renewal form on this page and send it with your check or money order to: **BRAW, Inc., Valerie Van Winkle, PO Box 628492, Middleton, WI 53562**

You can also renew your membership at [www.braw.org](http://www.braw.org) and use PayPal or a credit card.

## BRAW, Inc. Membership and Wisconsin Bluebird Subscription

Yes! I would like to join or renew as a member with the Bluebird Restoration Association of Wisconsin, Inc. (BRAW) and receive its quarterly newsletter *Wisconsin Bluebird*. Enclosed is my check/money order (do not send cash) made out to BRAW, Inc. for the following:

- \$10 Gift Annual Membership (Online subscription)
- \$15 Student/Teacher Annual Membership (Online subscription)
- \$20 Online Annual Membership
- \$40 Extended Online Annual Membership for 2 years
- \$60 Extended Online Annual Membership for 3 years
- \$25 Individual or Family Annual Membership (Printed copy mailed)
- \$75 Extended Individual or Family Annual Membership for 3 years (Printed copy mailed)
- \$100 Corporate Annual Membership
- \$300 Life Membership

**A BRAW membership makes a great Anytime gift!**

**\$10 includes Online Newsletter**  
Give the gift of Bluebirds!

Name: \_\_\_\_\_

Address: \_\_\_\_\_

City: \_\_\_\_\_

State: \_\_\_\_\_ Zip Code: \_\_\_\_\_

\*Email Address: \_\_\_\_\_

Telephone: (    ) \_\_\_\_\_

County of residence: \_\_\_\_\_

\*BRAW sends out nest box deal promotions and "time to renew" reminders via email.

### Donation (optional)

\$15 for nest box construction/post & predator guard

\$100 for nest box trail

\$\_\_\_\_\_ for bluebird research

In addition to my membership contribution, I wish to contribute: \$\_\_\_\_\_

(Contributions to BRAW are tax deductible.)

Check appropriate boxes:

This is a renewal

This is a new membership

This is a GIFT membership

Enclosed please find my check \$ \_\_\_\_\_

Mail this membership request to:

BRAW, Inc.  
Valerie Van Winkle  
PO Box 628492  
Middleton, WI 53562

We do not share or sell BRAW's membership list.

If you have any questions, please contact Valerie at 847-302-5684 or [ripvws@gmail.com](mailto:ripvws@gmail.com).

## BRAW ELECTED & APPOINTED OFFICERS

**President Steve Sample**, 422 Shepard Ter., Madison, WI 53705 • 708/606-8070 • [ssample@gmail.com](mailto:ssample@gmail.com) (term to 12/22)

**Vice-president Brad Zinda**, 6737 Pinelake Dr. #213, Madison WI 53719 • [brad.zinda@gmail.com](mailto:brad.zinda@gmail.com) (term to 12/23)

**Secretary Gene Kroupa**, [gkroupa@tds.net](mailto:gkroupa@tds.net) (term to 12/23)

**Treasurer Joanie Haugen**, 9773 Vermont Church Rd., Black Earth, WI 53515 • [jlhcb@gmail.com](mailto:jlhcb@gmail.com) (term to 12/24)

**Director Steve Fallon**, 974 Halcyon Days Ct., Oregon, WI 53575 • [stevfall50@gmail.com](mailto:stevfall50@gmail.com) (term to 12/23)

**Director Dave Lucey**, Cross Plains, WI • [dklucey@chorus.net](mailto:dklucey@chorus.net) (term to 12/24)

**Director Mary Sobol**, 5205 Broadhead St., McFarland WI 53558 • [msobolontime@gmail.com](mailto:msobolontime@gmail.com) (term to 12/24)

**Director Mike Crawford**, 817 5th St. Waunakee, WI 53539 608-213-1806 • [mike@marieandmike.com](mailto:mike@marieandmike.com) (term to 2023)

**Director Patrick Ready**, (Past President) 815 Sky Ridge Dr., Madison, WI 53719 • 608/239-0791 • [birdsready@gmail.com](mailto:birdsready@gmail.com) (term to 12/24)

**Directors Fred & Mary Craig**, 3308 Nathan Lane, Holmen WI 54636 • 608/783-2225 • [266marycraig@gmail.com](mailto:266marycraig@gmail.com) (term to 12/23)

**Director Andy Garcia-Rivera**, 10 Darien Circle, Madison, WI 53717 • [agarciarivera@gmail.com](mailto:agarciarivera@gmail.com)

**Director Gail Smith**, Middleton, WI 53562 • [gsmithbird@gmail.com](mailto:gsmithbird@gmail.com)

### APPOINTED OFFICERS AND COMMITTEE CHAIRPERSONS:

**Data Collection Officer: Steve Fallon** (see above)

**County Coordinator Chair: Gene Birr**, 3698 Morgan Marsh Rd Oconto Falls, WI 54154 • 920-373-2551 • [gbbird22@gmail.com](mailto:gbbird22@gmail.com)

**Funding: Joanie Haugen** (see above)

**WI Bluebird Editor: Patrick Ready** (see above)

**Membership: Valerie Van Winkle**, PO Box 628492, Middleton, WI 53562

• [ripvws@gmail.com](mailto:ripvws@gmail.com)

**Public Relations and Promotions: Gene Kroupa** (see above)

### Student and Youth Outreach Committee:

**Lowell Peterson**, 1860 45th St. Somerset, WI 54025 • (715) 247-3243

### BRAW LIAISONS:

**Bureau of Endangered Res. Liaison: Sumner Matteson**, DNR, 101 S. Webster St., PO Box 7921, Madison, WI 53701 • 608/266-1571

**WSO Liaison: Jennifer Wenzel** • [miloloki@wi.rr.com](mailto:miloloki@wi.rr.com) • 262-488-8077

## Shop the BRAW Online Store

Check out the new BRAW Online Store! T-shirts, sweatshirts, hats, and lots more all with the BRAW logo on them. Items can be ordered online at <https://stores.inksoft.com/brawstore/shop/products/all?page=1>



**Wisconsin Bluebird** • Volume 38, Number 1 • Winter 2023  
Published by the **Bluebird Restoration Association of Wisconsin, Inc.**

Editor, Designer, Photographer  
**Patrick Ready**, 815 Sky Ridge Dr., Madison WI 53719  
608-239-0791 • [birdsready@gmail.com](mailto:birdsready@gmail.com)

**CHANGE OF ADDRESS:** Contact Membership Chair **Valerie Van Winkle**, PO Box 628492, Middleton, WI 53562, Email: [ripvws@gmail.com](mailto:ripvws@gmail.com)

*Wisconsin Bluebird* is published quarterly by the Bluebird Restoration Association of Wisconsin, Inc. (BRAW) 815 Sky Ridge Dr., Madison, WI 53719. Subscription price is included in membership dues. Subscriptions and membership renewals should be sent to: **Valerie Van Winkle, PO Box 628492, Middleton, WI 53562**

Issues are dated Spring, Summer, Fall, and Winter. Deadlines for submissions to the editor are due the 15th of January, April, July, and October.

Except for material with a copyright notice, permission to reproduce material printed in *Wisconsin Bluebird* newsletter is granted providing credit is given to *Wisconsin Bluebird* newsletter as the publisher and to the author(s) or photographer(s) whose bylines and photo credits appear with the story or photographs.

The mission and purpose of the Bluebird Restoration Association of Wisconsin, Inc. is to broaden the base of state residents to help Eastern Bluebirds and native cavity nesters by erecting, maintaining and monitoring nest boxes.

# Bluebird Restoration Association of Wisconsin

Patrick Ready  
815 Sky Ridge Dr.  
Madison, WI 53719  
www.braw.org



NONPROFIT  
ORGANIZATION  
U.S. POSTAGE  
**PAID**  
MADISON, WI  
PERMIT #2783



See page 3

Check the address label. If it says "Winter 2023", then you need to RENEW membership now.

## Life cycle of the Eastern Bluebird (*Sialia sialis*) by Patrick Ready.



Pair select box and female builds the nest.



Within a week or two 3-5 eggs are usually laid in the nest.



The male stands guard.



After 13-14 days of incubation the chicks hatch.



After 16-22 days old the chicks are ready to fledge.



The chicks grow quickly being fed by both parents.